

GENERAL FEATURES

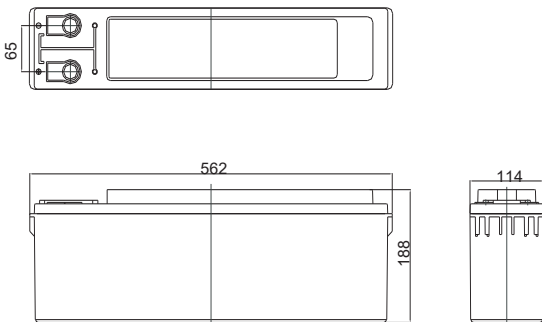
- **Long Service Life** - Especially designed for telecommunication use with 10+ years design life in float service. By combining the newly developed paste formula with up-to-date AGM structures, this range features 12 years design life.
- **Front Access Connection** - Front access connection for fast, easy installation and maintenance with standard width for 19' and 23' ETSI racks.
- **Maintenance-Free, Non-Spillable** - Proven VRLA technology guarantees safe operation without maintenance and 'non-restricted article' status for transportation.
- **Low Self-Discharge** - Lead-calcium alloy grids and use of high purity lead account for superior shelf-life characteristics permitting storage for extended periods of time.
- **Designed-In Reliability** - Cutting-edge manufacturing and process control combined with meticulous quality assurance procedures guarantee consistent and dependable performance

PERFORMANCE SPECIFICATIONS

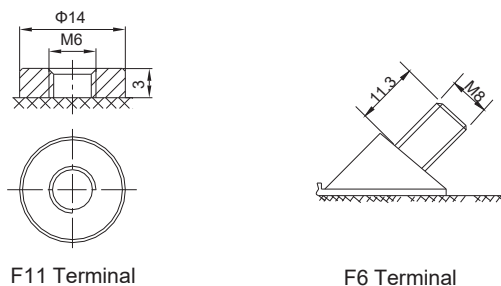
Nominal Voltage	12V(6 cells)	
Design Floating Life @25°C	12 Years	
Nominal Capacity @25°C	20 hour rate 4.5A to 10.50V	90.0Ah
	10 hour rate 7.89A to 10.80V	78.9Ah
	5 hour rate 14.1A to 10.50V	70.5Ah
Internal Resistance	3 hour rate 20.5A to 9.60V	61.5Ah
	1 hour rate 50.3A to 9.60V	50.3Ah
	Full Charged Battery@25°C	<8.7mΩ
Energy Density (20-hr. rate)	89.66W-h/l	
Specific Energy (20-hr. rate)	40.75W-h/kg	
Shelf Life (nominal capacity at 20°C)	1 Month	97%
	3 Months	91%
	6 Months	83%
Max Short-Duration Discharge Current	5 Sec	900.0A
	Standby Use Charge (Constant Voltage) @25°C	Initial Charging Current Less than 18A Voltage 13.6 - 13.8V
Cycle Use Charge (Constant Voltage) @25°C	Initial Charging Current Less than 18A Voltage 14.4 - 14.9V	
	Operating Temperature Range	Charge
Discharge		-40°C to 60°C

GENERAL FEATURES mm

	Unit: mm		
Length	162±1	Total Height	188±1
Width	114±1	Weight(kg)	26.5±1
Height	188±1		

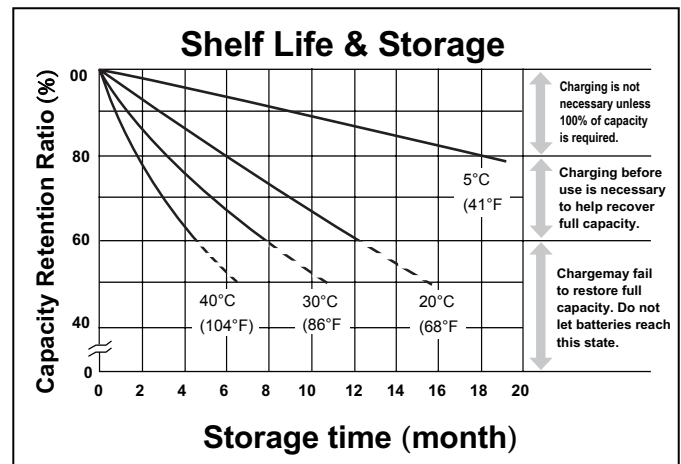
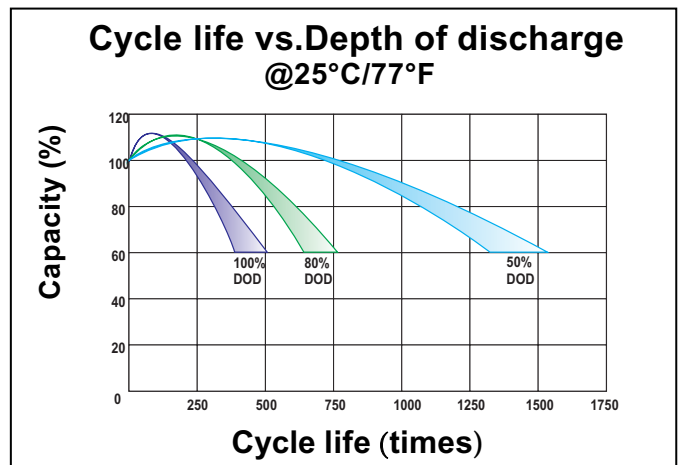
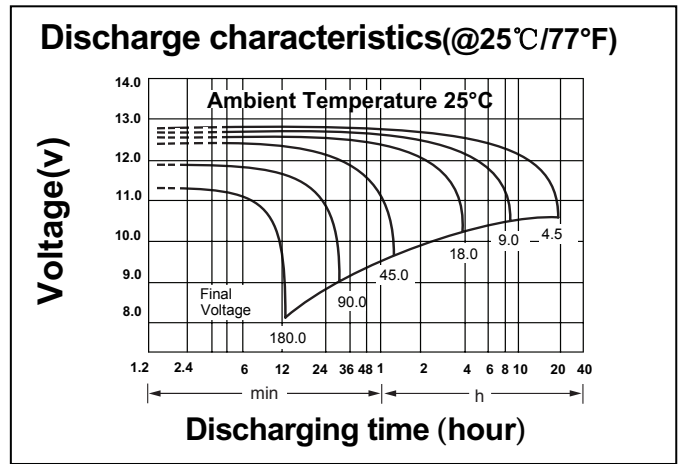


TERMINALS mm



F11 Terminal

F6 Terminal



CONSTANT CURRENT DISCHARGE RATINGS (Amperes at 25°C)

F.V/Time	15MIN	30MIN	1HR	2HR	3HR	4HR	5HR	8HR	10HR	20HR
1.60V	130.5	85.8	50.3	30.1	20.8	17.2	14.5	9.90	8.21	4.95
1.65V	127.9	84.4	50.1	29.9	20.7	17.1	14.4	9.82	8.13	4.77
1.70V	125.9	83.7	49.6	29.6	20.5	17.1	14.3	9.74	8.05	4.64
1.75V	121.2	83.9	49.1	29.4	20.5	16.9	14.1	9.66	7.97	4.50
1.80V	113.1	83.2	48.0	28.9	19.9	16.5	13.9	9.50	7.89	4.23
1.85V	102.6	78.7	45.6	27.6	19.0	15.7	13.3	9.09	7.66	4.05