

GENERAL FEATURES

- **GEL Technology** - The success of DG batteries comes from the internationally superior Gel technology. It is ideal for standby or frequent cyclic discharge applications under extreme environments
- **Front Access Connection** - Front access connection for fast, easy installation and maintenance with standard width for 19' and 23' ETSI racks.
- **Long Service Life** - Especially designed for telecommunication use with 10+ years design life in float service. By combining the newly developed paste formula with up-to-date GEL structures, this range features 12 years design life.
- **Maintenance-Free, Non-Spillable** - Proven VRLA technology guarantees safe operation without maintenance and 'non-restricted article' status for transportation.
- **Designed-In Reliability** - Cutting-edge manufacturing and process control combined with meticulous quality assurance procedures guarantee consistent and dependable performance

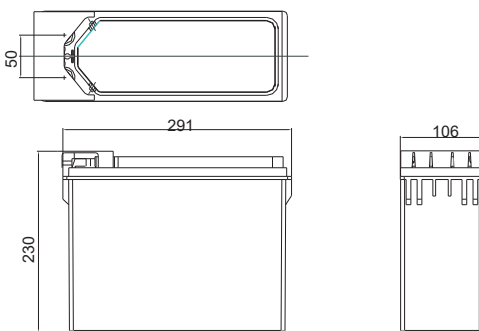
PERFORMANCE SPECIFICATIONS

Nominal Voltage	12V(6 cells)	
Design Floating Life @25°C	12 Years	
Nominal Capacity @25°C	20 hour rate	84.8Ah
	4.24A to 10.80V	
	10 hour rate	80.0Ah
	8.0A to 10.80V	
Internal Resistance	5 hour rate	70.5Ah
	14.1A to 10.50V	
	3 hour rate	60.9Ah
	20.3A to 9.60V	
Energy Density (20-hr. rate)	1 hour rate	51Ah
	51A to 9.60V	
Specific Energy (20-hr. rate)	Full Charged Battery@25°C	<6.8mΩ
Shelf Life (nominal capacity at 20°C)	1 Month	97%
	3 Months	91%
	6 Months	83%
Max Short-Duration Discharge Current	5 Sec	900.0A
Standby Use Charge (Constant Voltage) @25°C	Initial Charging	
	Current Less than 16A Voltage 13.6 - 13.8V	
Cycle Use Charge (Constant Voltage) @25°C	Initial Charging	
	Current Less than 16A Voltage 14.4 - 14.9V	
Operating Temperature Range	Charge	-20°C to 50°C
	Discharge	-40°C to 60°C

GENERAL FEATURES

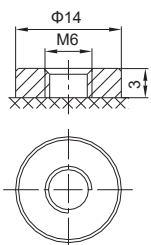
mm

	Unit: mm		
Length	291±1	Total Height	230±1
Width	106±1	Weight(kg)	18.0±1
Height	230±1		

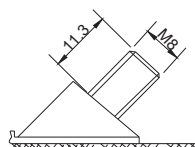


TERMINALS

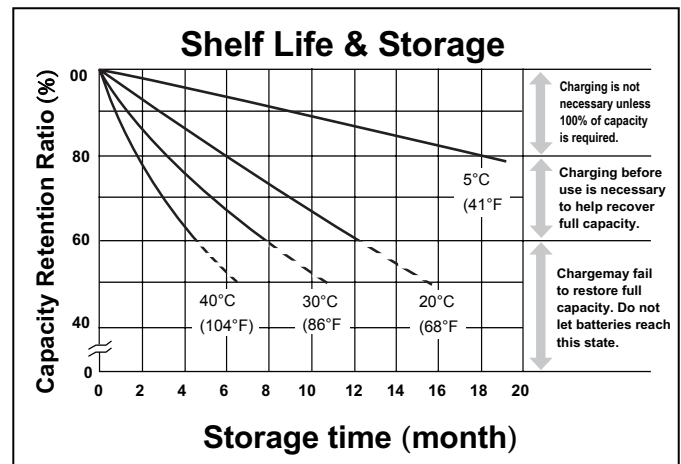
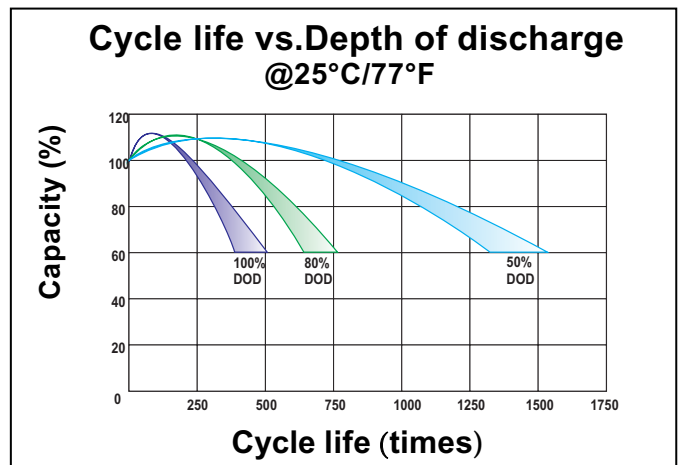
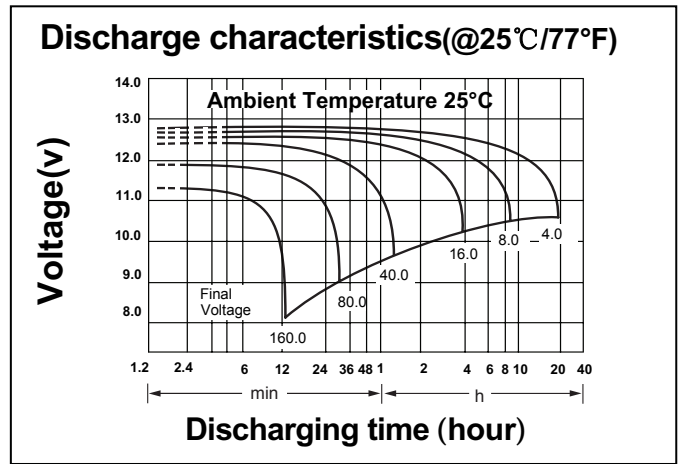
mm



F11 Terminal



F6 Terminal



CONSTANT CURRENT DISCHARGE RATINGS (Amperes at 25°C)

F.V/Time	10min	15min	30min	45min	1h	2h	3h	5h	8h	10h	20h
1.60V	186.0	144.4	89.0	64.4	51.0	30.0	22.1	14.9	10.2	8.4	4.44
1.65V	172.1	136.4	84.6	61.9	49.5	29.0	21.4	14.6	10.1	8.2	4.40
1.70V	159.6	128.1	81.4	59.7	47.6	28.2	20.8	14.3	9.9	8.2	4.35
1.75V	149.0	120.0	77.2	57.0	45.7	27.5	20.3	14.1	9.8	8.1	4.31
1.80V	134.1	112.6	74.5	55.0	44.1	26.5	19.7	13.8	9.6	8.0	4.24